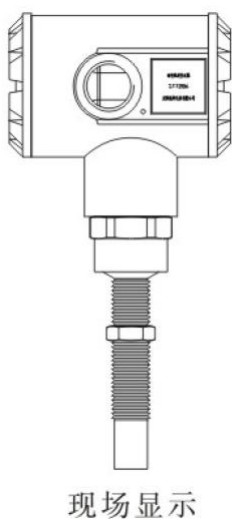
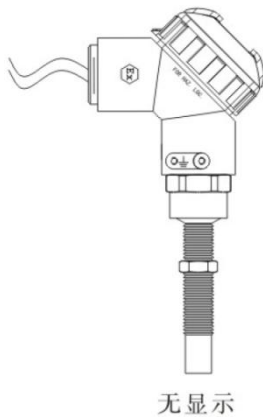


ST7286 Magnetic Speed Transmitter



1. OVERVIEW

The 2-wire ST7286 Magnetic Speed Transmitter is designed for measuring rotating speed of machinery. It combines available reluctance and magneto resistor technology and DSP perfectly. With notable features of Easy alignment, compacting and simple installation, the transmitter is HART protocol enabled and transmits 4-20mA signal proportional to the rotating speed. thus, the user can configure parameters via the HART enabled communicator. The ST7286 is available for variety of fluted disc at high shock and vibration and will provide reliable and around-the-clock operation for many years under humid and corrosive environments, especially for explosion-proof conditions. Variety of transmitter length, mounting stud thread and electrical interface available for special application are optional.

2. FEATURES

- Two-wire loop power supply, non-polarity connection
- Output a 4-20mA current signal
- HART communication protocol
- Intrinsically safe and flameproof certification
- Optional with site display

3. APPLICATIONS

- Pumps
- centrifuge
- Turbinemachinery
- Compressor
- Gear box

4. TECHNICAL SPECIFICATIONS

Measurement Range: Refer to the selection guides, It can also be set at site using the HART hand operator.

Output Current: 4-20mA output proportional to Rotating speed

Accuracy: ±0.1%

Frequency Response: 2-1000Hz

Sensor: magneto electric sensor

Supply Voltage: 15-30VDC

Transmission distance: 1500m

Temperature: no display: -55℃ ~ +85℃

display: -25℃ ~ +70℃

Max load resistance (R_L) : R_L=50×(V_S-12)Ω

Case Material: 304SS (standard) , 316SS (optional)

Electrical interface: on-site display type: M20*1.5

Any other optional

Enclosure Rating : IP66

Hazardous Areas : NEPSI, Ex ia IIC T4 Intrinsically Safe

NEPSI, Ex d IIC T6 Flameproof

Application in hazardous area: use isolated safety barrier

5. SELECTION GUIDES

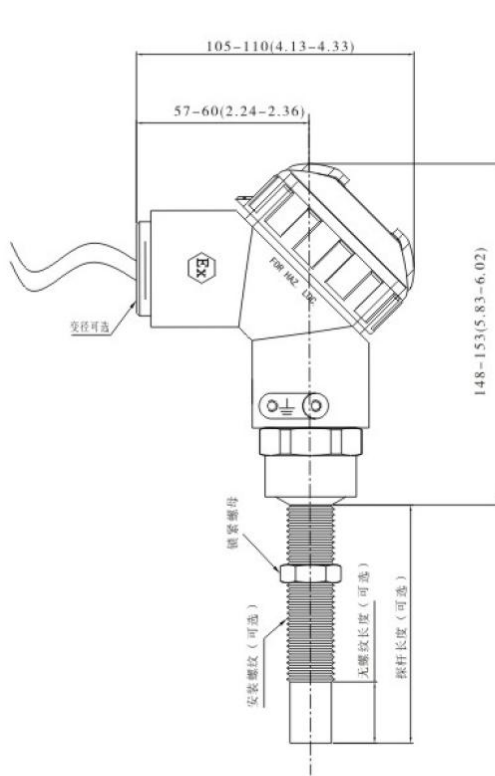
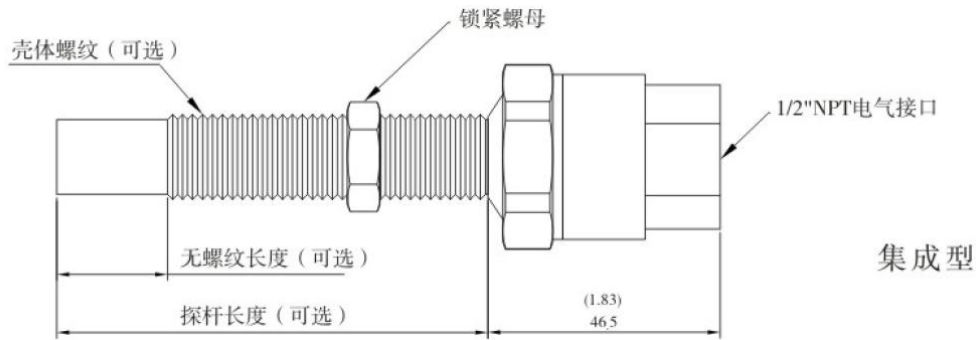
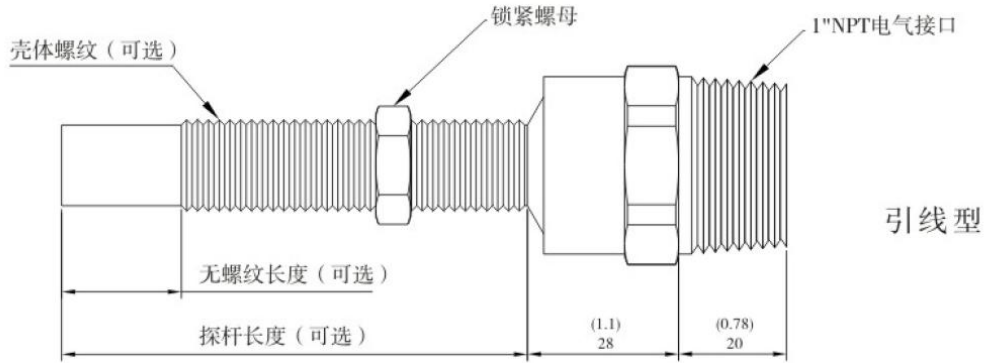
ST7286-ABB-CCC-DEF -GG-HHHHH

-□□□-□□□-□□□-□□-□□□□□

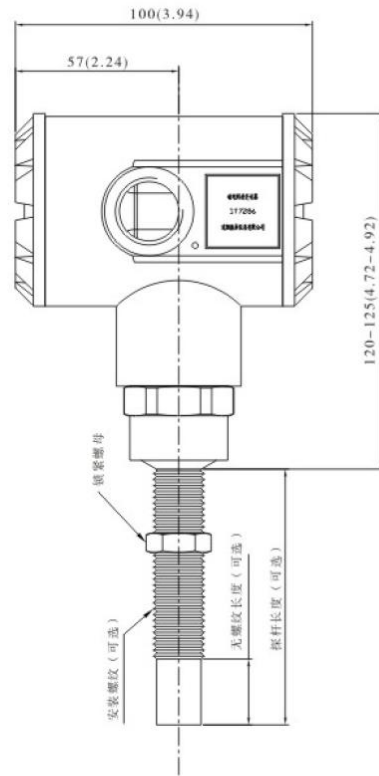
A	Mounting stud threads	E	Housing type
1	5/8-18 UNF-2A	0	No display , connecting with housing of EB5016 (D=0, 1)
2	M16*1.5 6g	1	No display, connecting T 8200 (D=1)
3	3/4-20 UNEF-2A	2	Display at site (D=0, 1; F=2)
BB	Unthreaded length	3	No wiring housing, integrated cable(D=2,3;F=0) (or cable length can be user customized.2XX or 3 XX,X is length of cable with unit of m)
00	standard (overall thread)	F	Electrical interface
01	Incremental 01=10mm	0	1/2NPT
10	Max 10=100mm	1	3/4NPT
Digital represents the length in this column, unit: mm		2	M20*1.5(E=2)
CCC	Overall length	GG	齿数
040	Min 40mm	01	(One)
125	Max 125mm
Digital represents the length in this column, unit: mm		99	(99)
D	Wiring	HHHHH	Measuring range
0	4-20mA, 2 flying leads (E=0,2)	120	(120rpm min)
1	4-20mA 2-pin terminal blocks (E=1)		
2	4-20mA 3m shield cable integrated type		
3	4-20mA 3m armored shield cable integrated type		

...	...	60000	(60000rpm max)
-----	-----	-------	----------------

6. DIMENSIONS



无显示

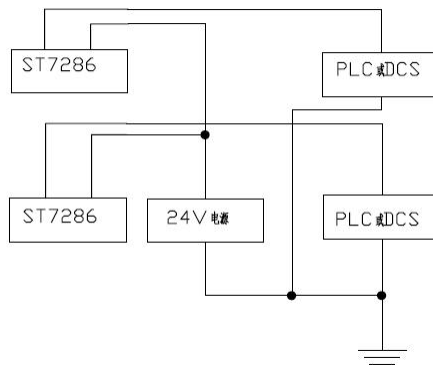
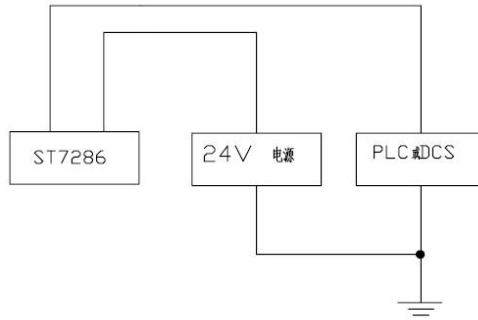


现场显示

单位: mm(in)

7. Wiring diagram

Safety area and flame-proof area



Display at site

Intrinsic safety area

